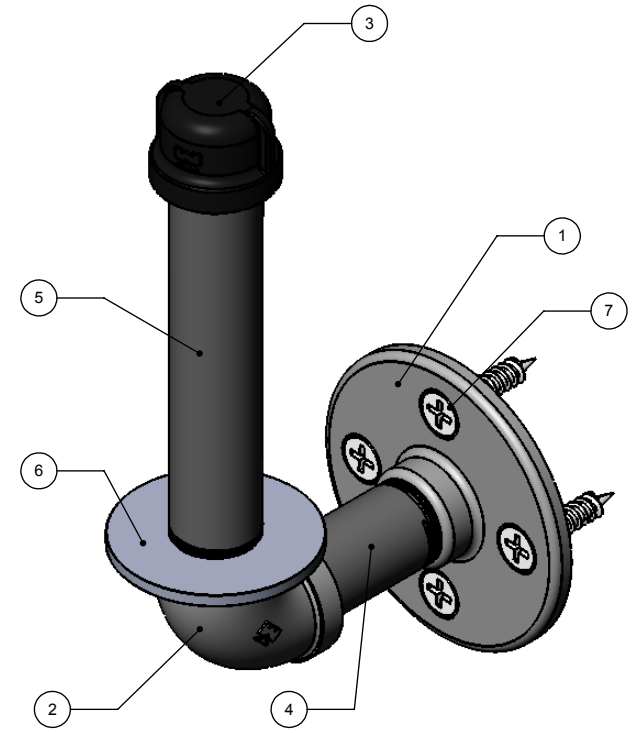
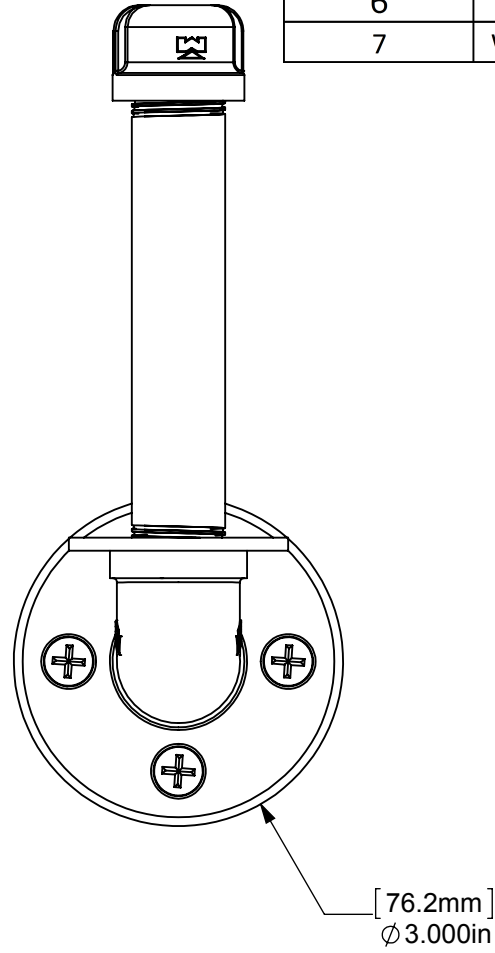
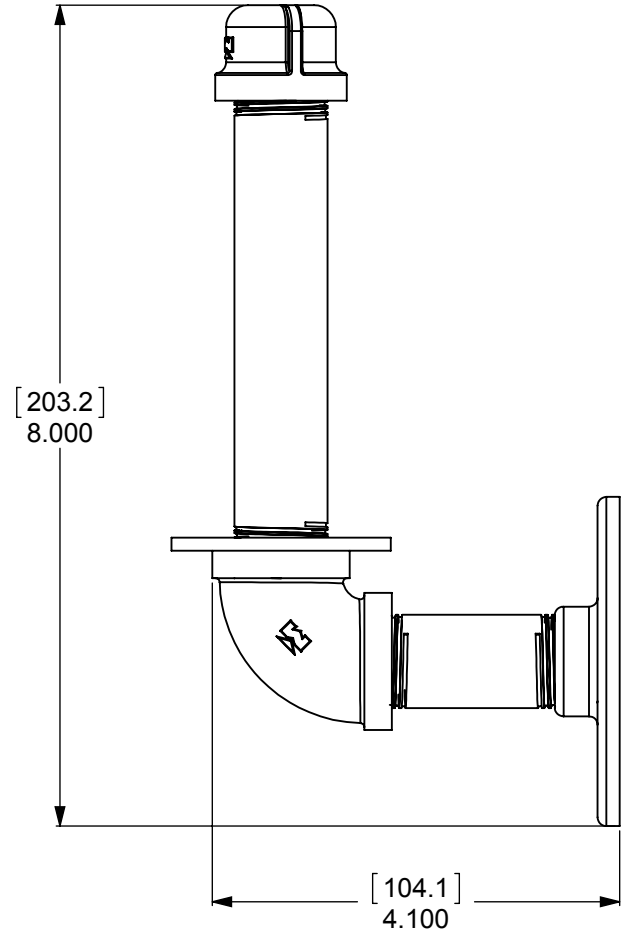


ITEM NO.	PART NO.	DESCRIPTION	QTY.
1	PIPE-FL12-3	1/2" FLANGE	1
2	PIPE-EL12-90	1/2" 90 DEG. ELBOW	1
3	PIPE-CAP-12	1/2" CAP	1
4	PIPE-NIP12-2.5	1/2" -2.5" NIPPLE	1
5	PIPE-NIP12-5	1/2" -5" NIPPLE	1
6	PIPE-WSH-2	METAL WASHER 2"	1
7	WOOD-SCREW-12	#12 WOOD SCREW	4




UNLESS OTHERWISE STATED

.X	± .3mm
.XX	± .15mm
.XXX	± .008mm

COPYRIGHT © Allied Brass 2017



DRAWN	5/17/2017	I.M
CHECKED	5/17/2017	P.D
APPROVED	5/17/2017	R.A

MATERIAL:	BRASS		FINISH	TBD
DESCRIPTION:	Pipeline Collection Upright Toilet Paper Holder		QUANTITY	TBD
			DRAWING No.	
			P-110-UPTP	
SCALE			1:1.75	SHEET: 01